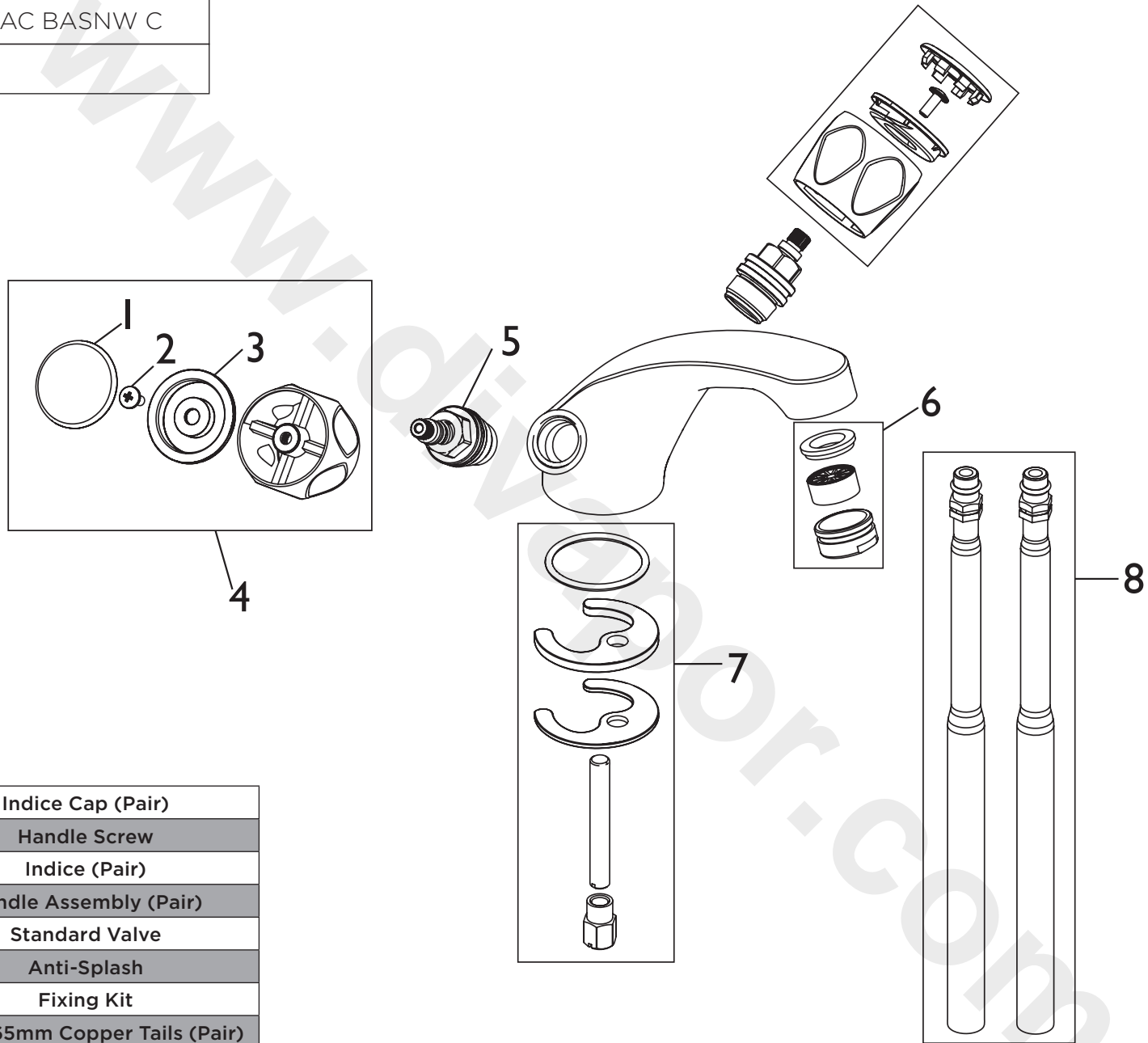


Product Code: VAC BASNW C

Revision: D2



1	Indice Cap (Pair)
2	Handle Screw
3	Indice (Pair)
4	Handle Assembly (Pair)
5	Standard Valve
6	Anti-Splash
7	Fixing Kit
8	M10x265mm Copper Tails (Pair)